



上海久悦机电设备有限公司

www.joy-hyd.com

PN 系列泵和马达

ALUMINIUM PUMPS AND MOTORS PN SERIES



RONZIO



意大利罗茨油压动力公司于1950年由资深机械专家丹特·罗茨先生创立。公司早期致力于生产柴油机马达，几年后开始制造油压齿轮泵，并迅速成为公司的主流产品。

公司创始人对精密机械的热爱最终使罗茨公司在本行业拥有了重要的地位：不论是选择原材料还是监控生产工艺，公司所注重的一直是产品的品质和精密度。



现在，罗茨公司生产齿轮泵、马达和分流器，广泛用于汽车、建筑、农机、森林机械和挖掘搬运等工业领域。公司组织系统精干，经验丰富，可以充分满足客户的要求；我们不仅是客户的供应商，而且还是他们的开发规划的合作伙伴。

1998年，我们通过了DNV质量体系认证。



Ronzio Oleodinamica was established in 1950 by Mr. Dante Ronzio, fond of precision mechanics.

The Company started its activity machining pumps for diesel motors. The passion of the founder for fine mechanics left an important mark in the Company. The production of hydraulic gear pumps started some years later, and became soon the main activity of the Company.



Since the beginning Ronzio Oleodinamica has been focusing on quality and precision. Our Company uses top quality components, and the most advanced computerized machines, in both the production and the testing process.

Ronzio Oleodinamica manufactures gear pumps, motors and flow dividers in aluminium and in cast iron for a wide range of industries including: construction, forestry, agriculture, industrial vehicle, earth moving, industrial.

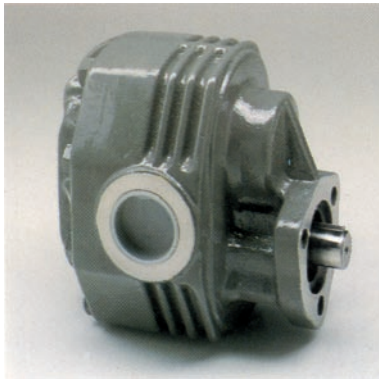
Today, our products are worldwide appreciated.

Our experience and our lean structure are suitable for customers who need a direct involvement of the supplier in their projects.

Our quality system has been certified by DNV since 1998.

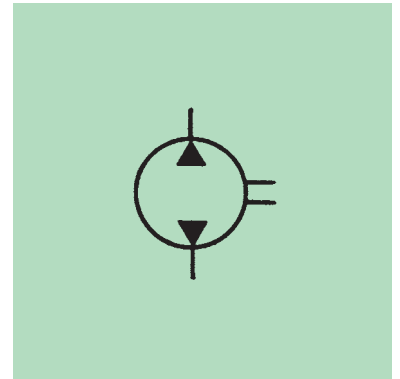


齿轮泵 GEAR PUMPS



PN

双向旋转齿轮泵，广泛应用于移动工程机械及农业机械中。



PN SERIES PUMPS - Available in dual rotation version, these are the units most commonly-utilized for mobile industrial and agricultural applications.

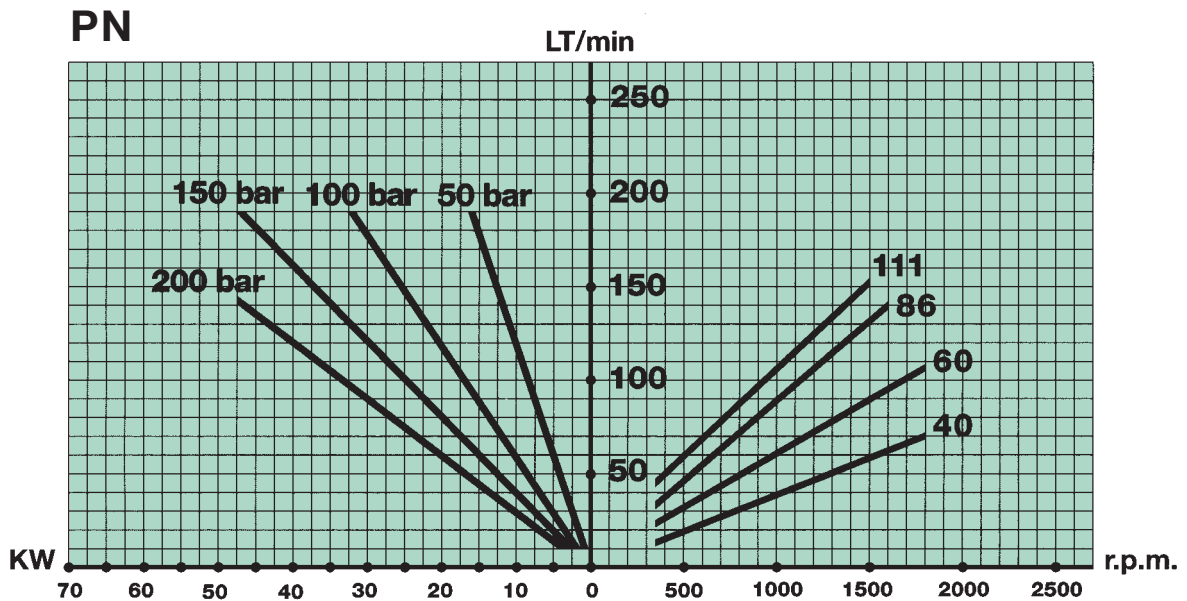
主要参数 MAIN CHARACTERISTICS

| 类型-Type PN | | 40 | 60 | 86 | 111 |
|--|---------|------|------|------|-------|
| 排量 Capacity | cc/rev. | 38,4 | 60 | 85,8 | 104,8 |
| P2 最大间歇工作压力 Max. intermittent pressure | bar | 180 | 170 | 150 | 150 |
| P3 峰值压力 Peak pressure | bar | 210 | 200 | 180 | 180 |
| P2压力下最小转速 Min. speed for P2 pressure | r.p.m. | 350 | 350 | 350 | 350 |
| P2压力下最大转速 Max. speed for P2 pressure | r.p.m. | 1800 | 1800 | 1600 | 1500 |
| 最大空载转速 Max intermittent speed without load. | r.p.m. | 2100 | 2100 | 1900 | 1800 |

P3压力下最长工作时间为5" P3: - operating max for 5"

容积效率 VOLUMETRIC CAPACITY

输入功率 INPUT POWER



50 时油粘度
Oil viscosity at 50° C

2,5 ÷ 6,5° E

过滤要求
Oil Filtration

105bar以下是60 μ，超过为40 μ
60 μ for pressure up to 105 bar - 40 μ for pressure over

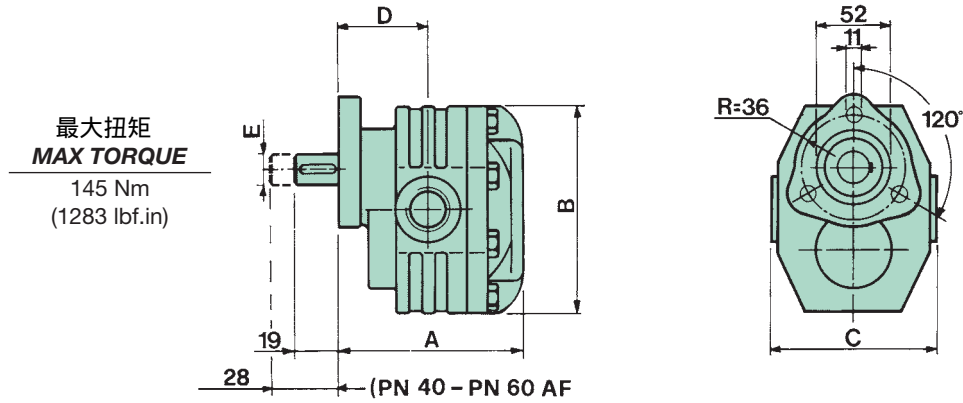
油温
Oil temperature

- 10 ÷ 80° C (10 ÷ 176° F)

齿轮泵 GEAR PUMPS



总体尺寸 OVERALL DIMENSIONS

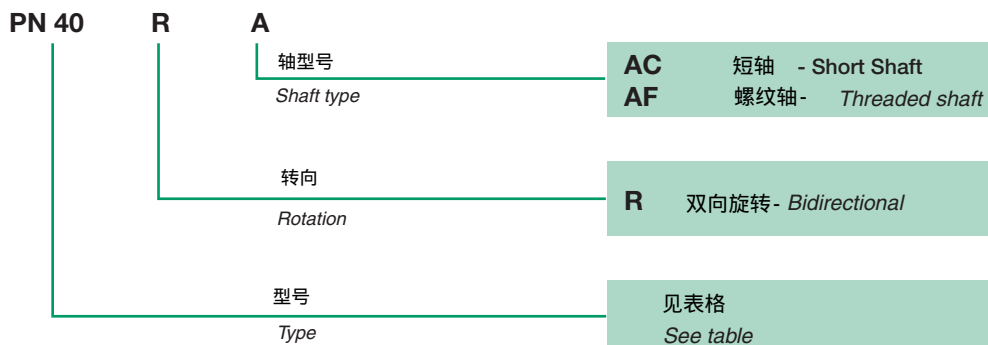


| 型号 Type | A | B | C | D | E | 进口 Inlet | 出口 Outlet | 转向 Rotation | KG |
|------------|-----|-----|-----|-----|----|-------------|--------------|----------------|------|
| PN 40 | 126 | 138 | 112 | 64 | 22 | 3/4" gas | 3/4" gas | R | 7,3 |
| PN 60 | 142 | 138 | 112 | 67 | 22 | 1" gas | 1" gas | R | 8,6 |
| PN 86 | 167 | 166 | 128 | 107 | 22 | 1" gas | 1" gas | R | 10,- |
| PN 111 | 177 | 166 | 128 | 117 | 22 | 1" gas | 1" gas | R | 11,3 |

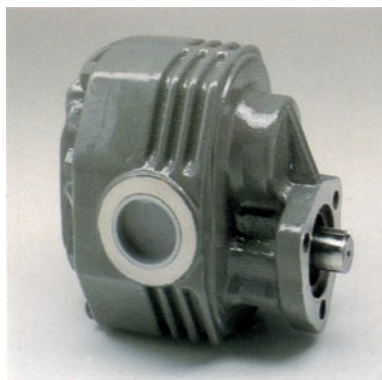
注：如果产品尺寸和性能更改时，公司有权不做通知

RONZIO OLEODINAMICA reserve the right to change specifications without notice.

订货说明- ORDERING ISTRUCTION

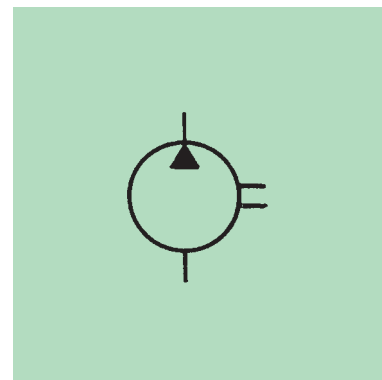


齿轮泵 GEAR PUMPS



PN BILANCIATA PN对称型

PN对称系列泵 - 压力平衡特性使其应对连续负载时有优势。
只可单向旋转。



BALANCED PN SERIE PUMPS - Pressure balanced units recommended for continuous duty. Available only in single rotation.

主要参数

MAIN CHARACTERISTICS

| 型号 - Type PN BILANCIATA | | 40 | 60 | 86 | 111 |
|--|---------------------|------|------|------|-------|
| 排量 Capacity | cc/r _{ev.} | 38,4 | 60 | 85,8 | 104,8 |
| P2 最大间歇工作压力 Max. intermittent pressure | bar | 200 | 190 | 180 | 180 |
| P3 峰值压力 Peak pressure | bar | 230 | 220 | 220 | 210 |
| P2压力下最小转速 Min. speed for P2 pressure | r.p.m. | 350 | 350 | 350 | 350 |
| P2压力下最大转速 Max. speed for P2 pressure | r.p.m. | 1800 | 1800 | 1600 | 1500 |
| 最大空转速度 Max intermittent speed without load. | r.p.m. | 2100 | 2100 | 1900 | 1800 |

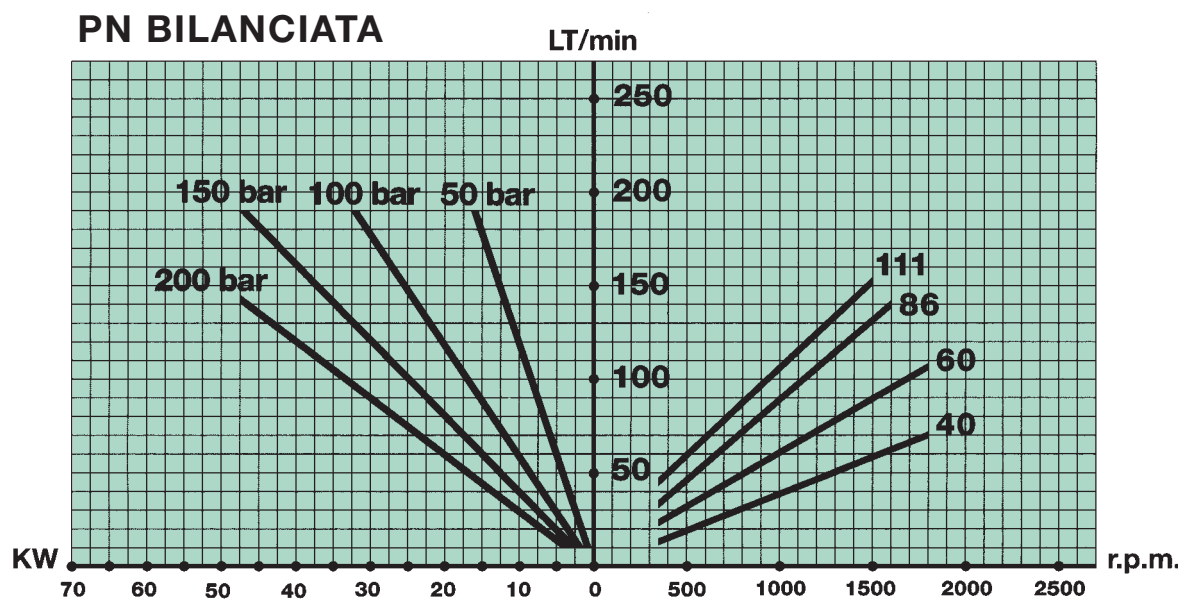
P3压力下最长工作时间5" P3: operating max for 5"

容积效率

VOLUMETRIC CAPACITY

输入功率

INPUT POWER



50 时油粘度
Oil viscosity at 50° C

2,5 ÷ 6,5° E

过滤要求
Oil Filtration

105bar 以下 60 μ，超过则 40 μ
60 μ for pressure up to 105 bar - 40 μ for pressure over

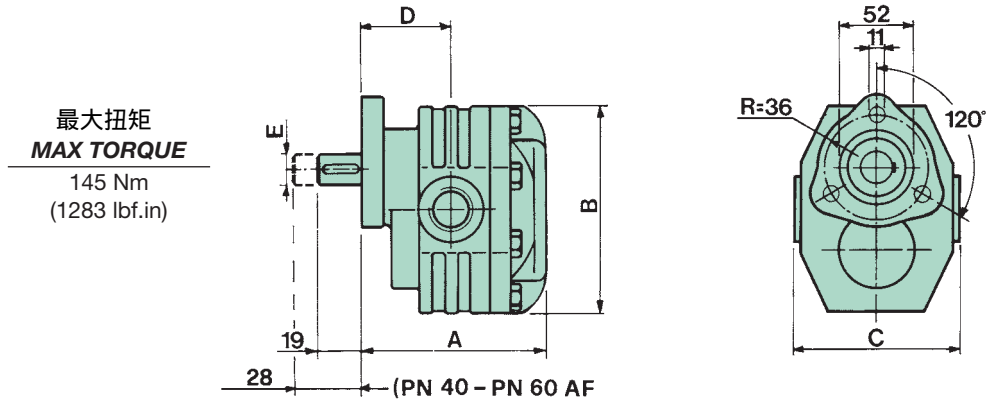
油温
Oil temperature

- 10 ÷ 80° C (10 ÷ 176° F)

齿轮泵 GEAR PUMPS



总体尺寸 OVERALL DIMENSIONS



| 型号 Type | A | B | C | D | E | 进口 Inlet | 出口 Outlet | 转向 Rotation | KG |
|------------|-----|-----|-----|-----|----|-------------|--------------|----------------|------|
| PN 40 | 128 | 138 | 112 | 64 | 22 | 3/4" gas | 3/4" gas | SB-DB | 7,3 |
| PN 60 | 144 | 138 | 112 | 67 | 22 | 1" gas | 1" gas | SB-DB | 8,6 |
| PN 86 | 167 | 166 | 128 | 107 | 22 | 1" gas | 1" gas | SB-DB | 10,- |
| PN 111 | 177 | 166 | 128 | 117 | 22 | 1" gas | 1" gas | SB-DB | 11,3 |

RONZIO OLEODINAMICA reserve the right to change specifications without notice.

订货说明 - ORDERING ISTRUCTION

